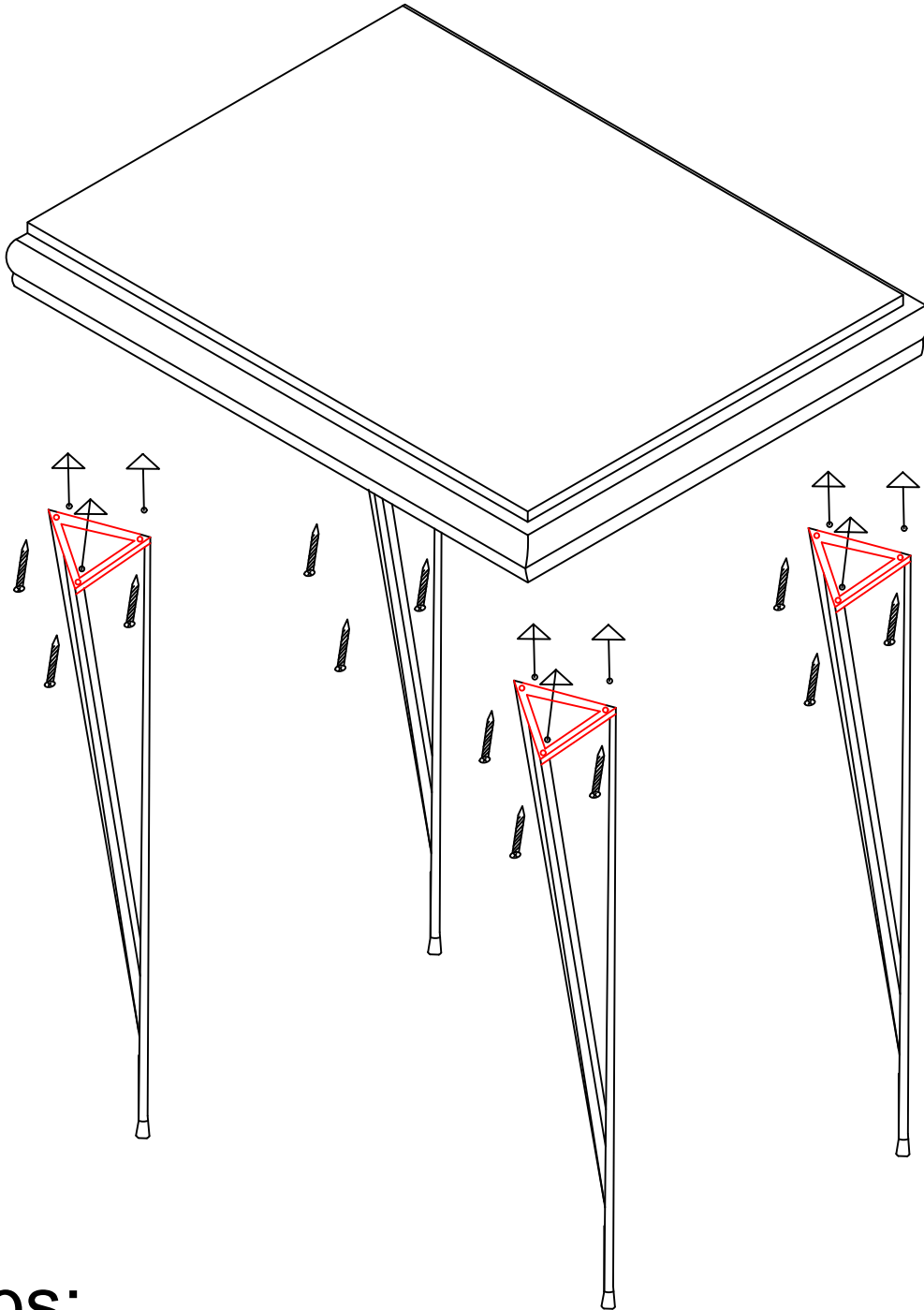


Assembly Instructions - SET OF 3 - Metal Legs



Steps:

There are: 3 size tables tray ;12 Metal legs

- Make sure to install legs with equal heights on each table top.
- Position the trays on flat surface.
- Attach the tray to the legs with the mounting screws to the pre-drill holes marked on the tray .